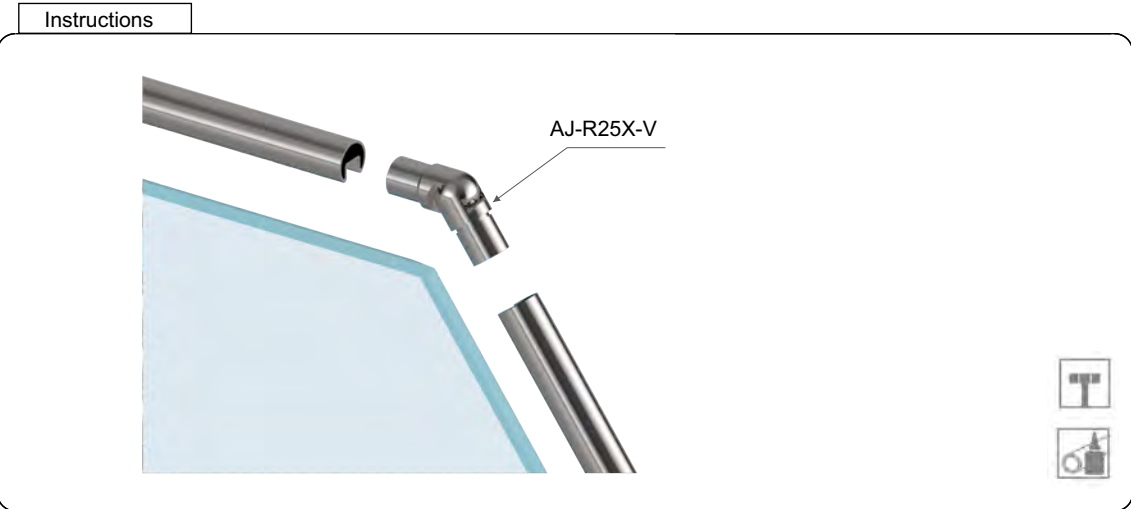
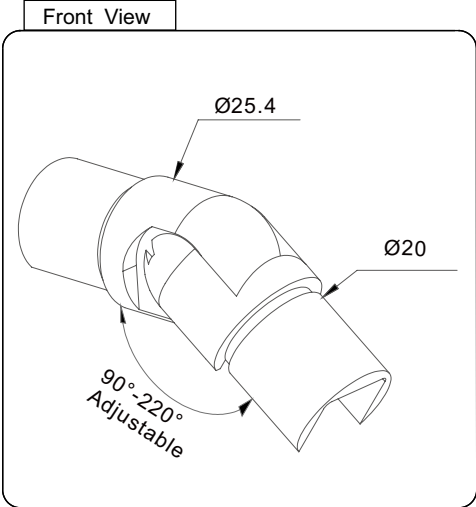


Drawing ID
AJ-R25X-V

Product Info.	
Finish	Code
Polish	AJ-R25M-V
Satin	AJ-R25S-V
Texture Black	AJ-R25B-V



**MATERIAL:**  
2205 Stainless Steel

**CATALOGUE AND DESCRIPTION:**

- > Railing Systems
- > TR-R25 Series
- > Downward / Upward Vertical Adjustable Joiner

**NOTES:**  
This drawing and or specification is the property of Silver Stone Hardware Pty Ltd - and must be returned to them on request. Unauthorised use may result in Legal Action. Its contents must not be made public, nor copied, nor used directly or indirectly in any way.

**SILVER STONE HARDWARE PTYLID**  
56-62 Bryant Street, Padstow, NSW 2211  
T: (02) 9792 2955 M: 0452 526 680  
www.silverstonehardware.com.au  
sales@silverstonehardware.com.au